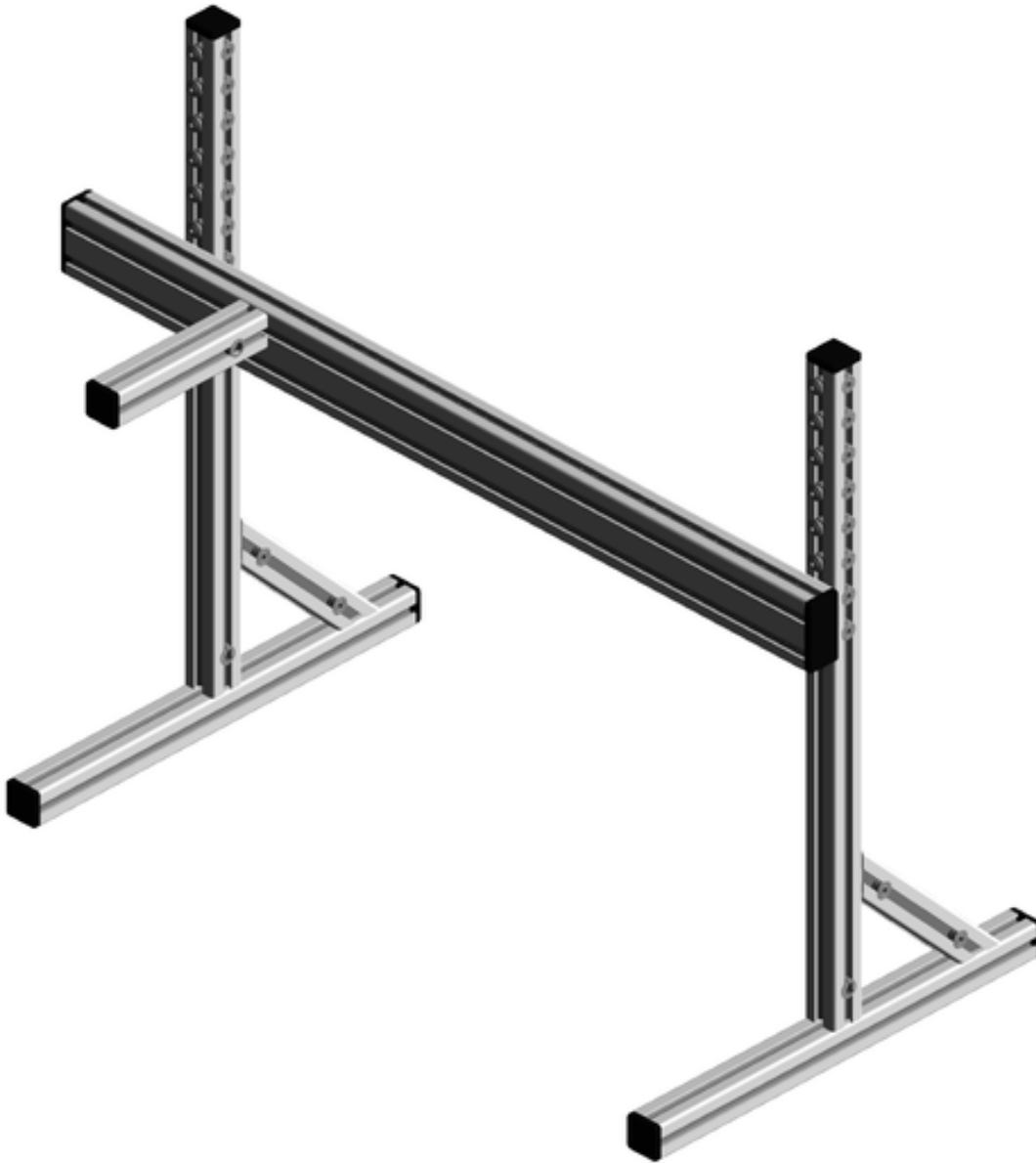


CONSTRUCTION DOCUMENTATION

Design Title : 21127M1 -R2 - Single Shot Rev 2
Revision Level : R2
Approved by :
Designer : David Curry
Company : Flodraulic Group
Address : 3539 North 700 West Greenfield, IN
E-Mail : dcurry@flodraulicgroup.com
Phone : 800-545-5414
Date : 2021-03-04



After Reviewing PDF Drawing, Sign/Date and return to Flodraulic Group when Purchase order is placed.
Orders will not be processed without approval.

Name: _____ Date: _____

IMPORTANT: All purchases are governed by the legal contract available at www.Flodraulicgroup.com/terms (the "Terms"). Buyer agrees that, by submitting a purchase order to Flodraulic Group Inc. or its affiliates ("Flodraulic") or receiving products and services from Flodraulic, Buyer has reviewed and agreed to the terms in the relevant quotation and Flodraulic's Terms which together form a binding contract between Flodraulic and Buyer. The Terms are incorporated herein by reference and this quotation or Flodraulic's acceptance of this order is expressly limited to, and expressly made conditional on, Buyer's acceptance of the Terms.

Acknowledged and Accepted By Buyer: Name: _____ Date: _____

Bill of materials (Number of kits: 1)

Pos	Article-No	Description	Units	Qty
1	1.11.030030.43LP-AA4A00/150	Profile 30x30, 4F, light, plain	MM	1
2	1.11.030030.43LP-DA1DA1/200	Profile 30x30, 4F, light, plain ***PER DRAWING 1***	MM	2
3	1.11.030030.43LP-A00A00/381	Profile 30x30, 4F, light, plain	MM	2
4	1.11.030030.43LP-AA4A00/560	Profile 30x30, 4F, light, plain ***PER DRAWING 2***	MM	2
4.A	ZA4/335.0	Parallel-connector distance left: 335.0 mm, anchor on side: 1	EA	2
4.B	ZA4/365.0	Parallel-connector distance left: 365.0 mm, anchor on side: 1	EA	2
4.C	ZA4/395.0	Parallel-connector distance left: 395.0 mm, anchor on side: 1	EA	2
4.D	ZA4/425.0	Parallel-connector distance left: 425.0 mm, anchor on side: 1	EA	2
4.E	ZA4/455.0	Parallel-connector distance left: 455.0 mm, anchor on side: 1	EA	2
4.F	ZA4/485.0	Parallel-connector distance left: 485.0 mm, anchor on side: 1	EA	2
4.G	ZA4/515.0	Parallel-connector distance left: 515.0 mm, anchor on side: 1	EA	2
4.H	ZA4/545.0	Parallel-connector distance left: 545.0 mm, anchor on side: 1	EA	2
5	1.11.030060.64LP-A00A00/750	Profile 30x60, 6F, light, plain	MM	1
6	1.42.20303.2	Cover cap 30x30, black	EA	7
7	1.42.20306.2	Cover cap 30x60, black	EA	2
8	1.21.3F0	Connector, universal	EA	3
9	1.21.3F5	Connector, parallel-square	EA	16
10	1.21.3FK1	Connector, oblique-hinge l. + r.	EA	4

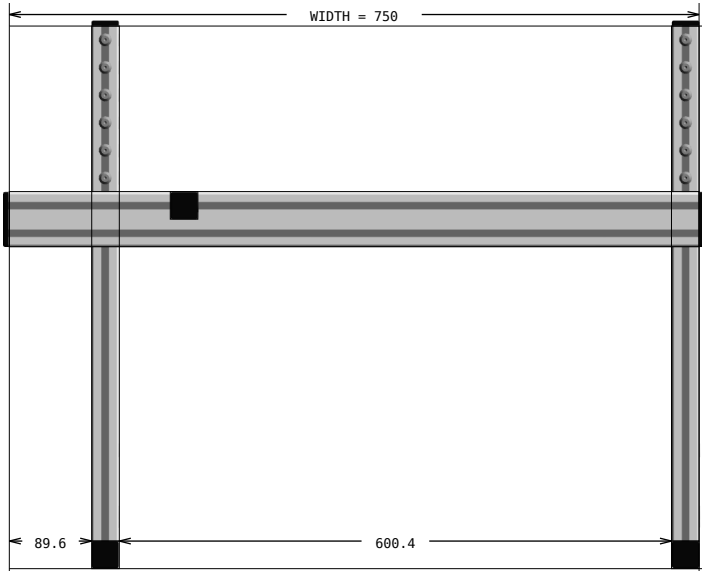
Total Weight: 4.71 kg (10.39 lbs)

Isometric view

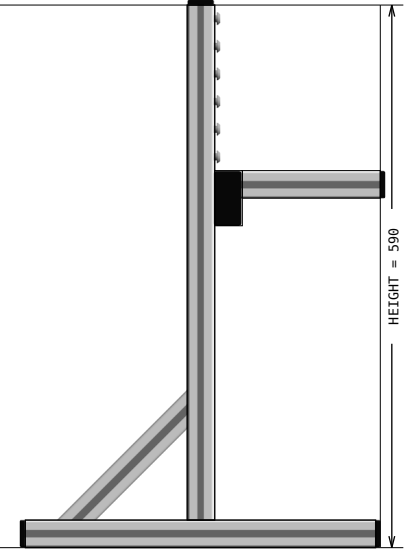
Some accessories may not be shown



Multiview



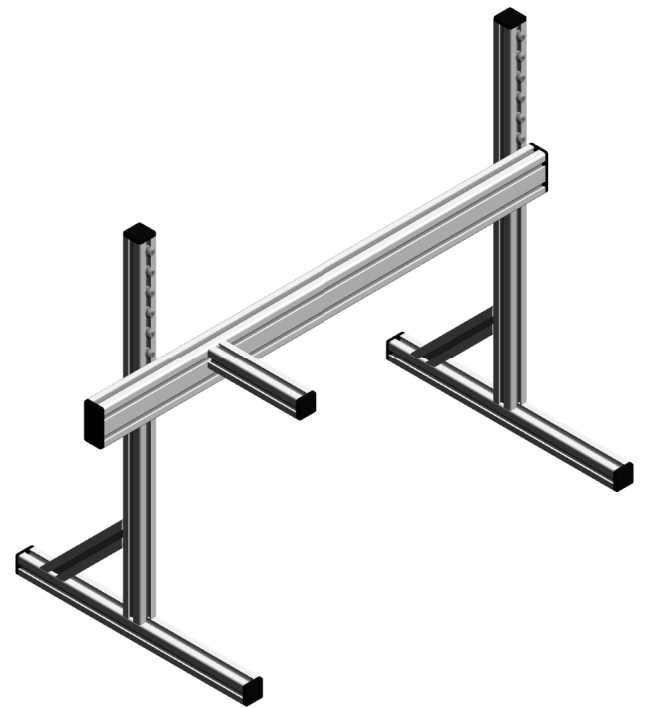
FRONT



LEFT



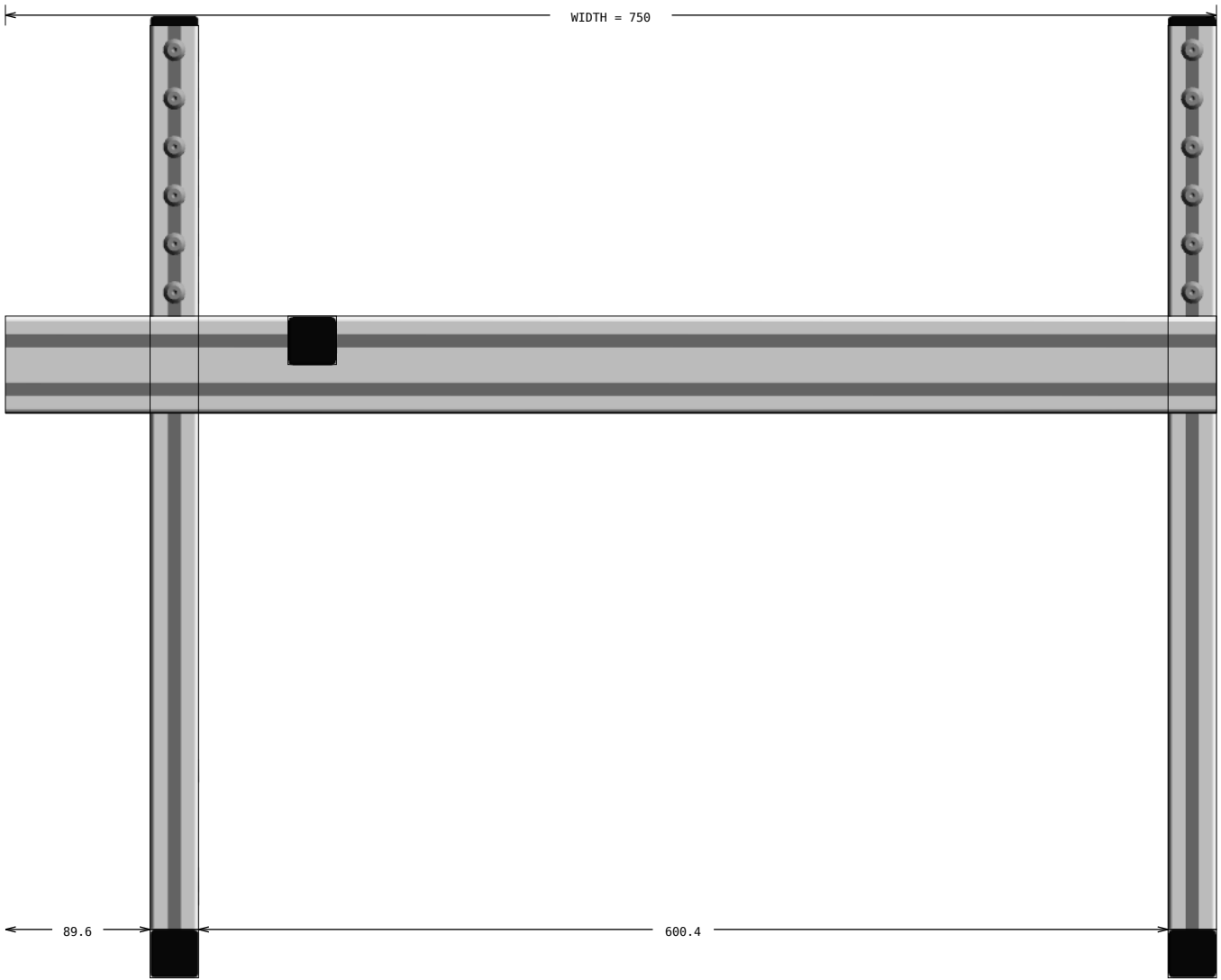
TOP



ISOMETRIC

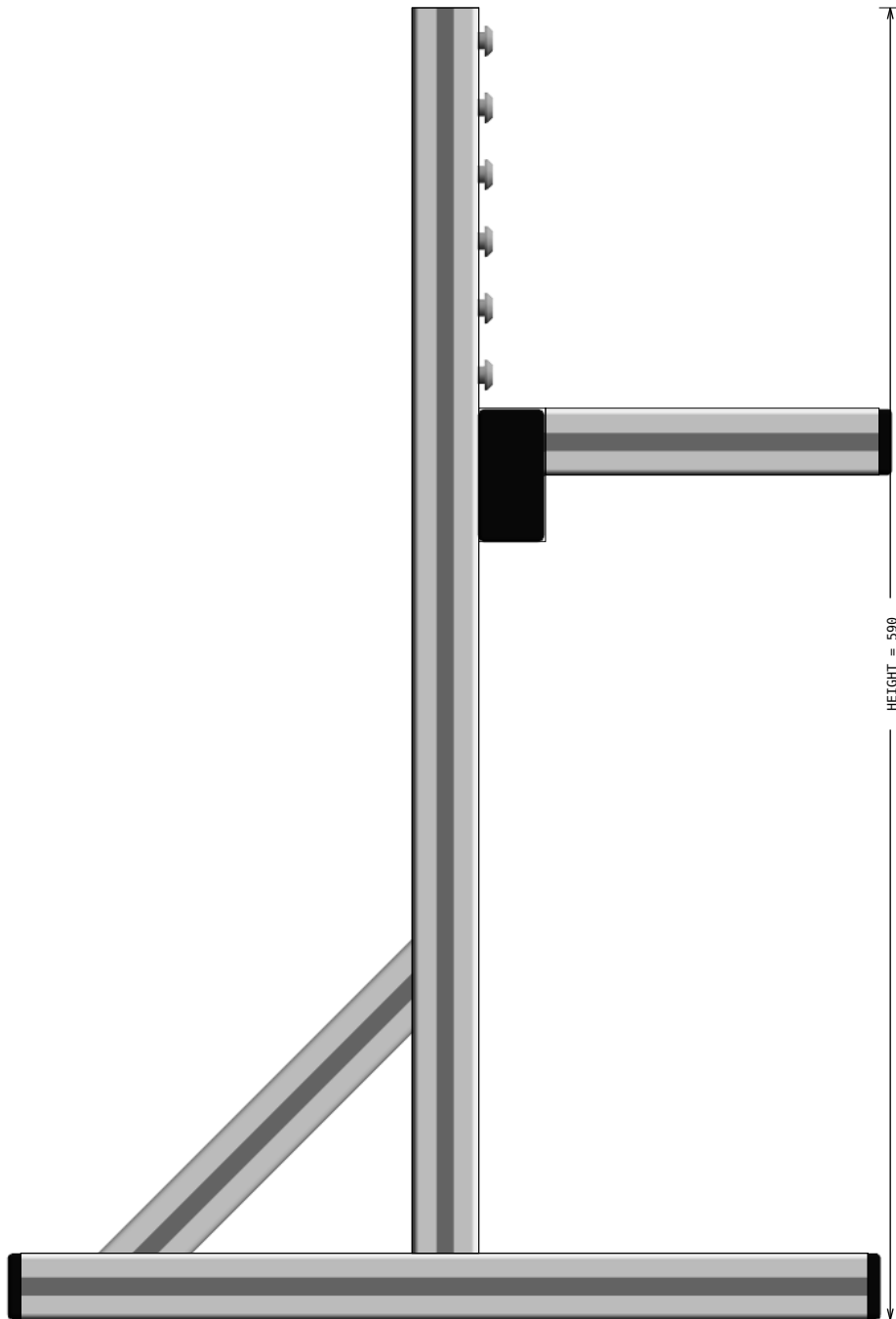
Design Title : 21127M1 -R2 - Single Shot Rev 2
Customer Name : David Curry
Date : 2021-03-04

FRONT VIEW



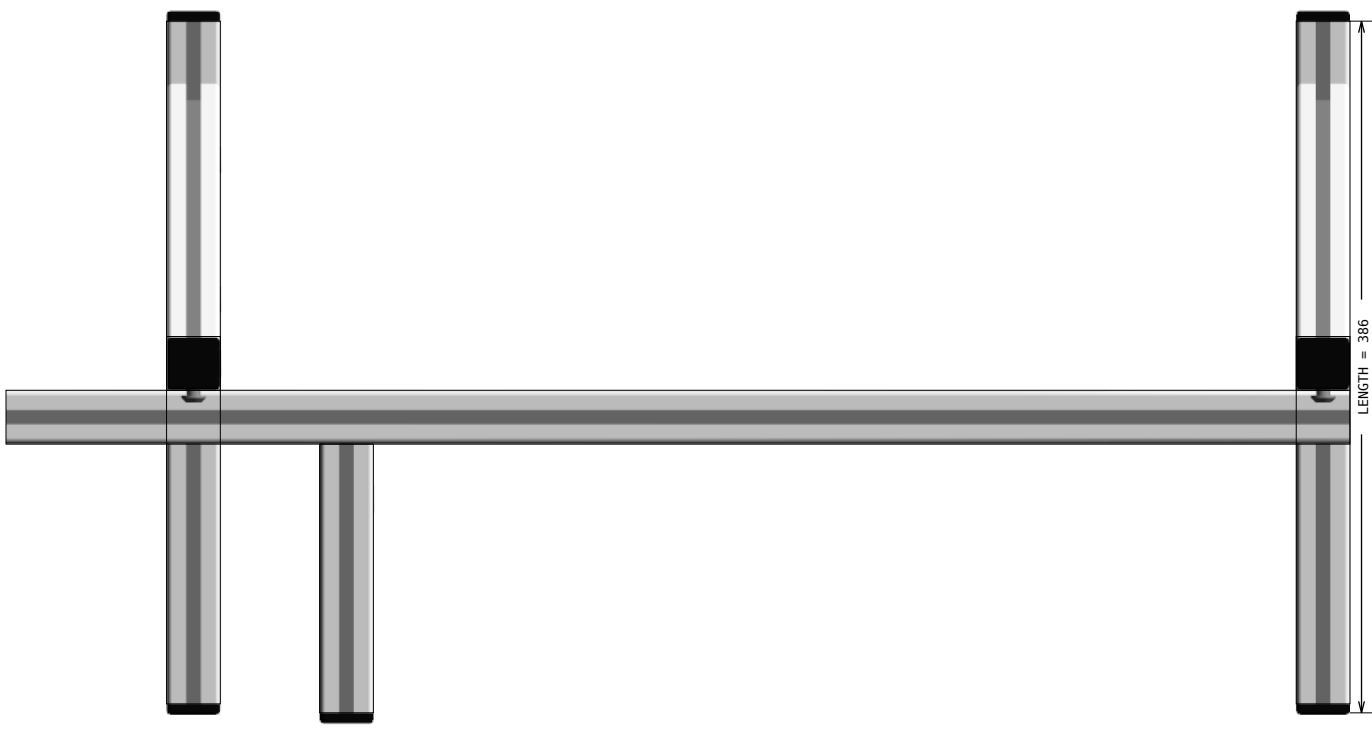
Design Title : 21127M1 -R2 - Single Shot Rev 2
Customer Name : David Curry
Date : 2021-03-04

LEFT VIEW



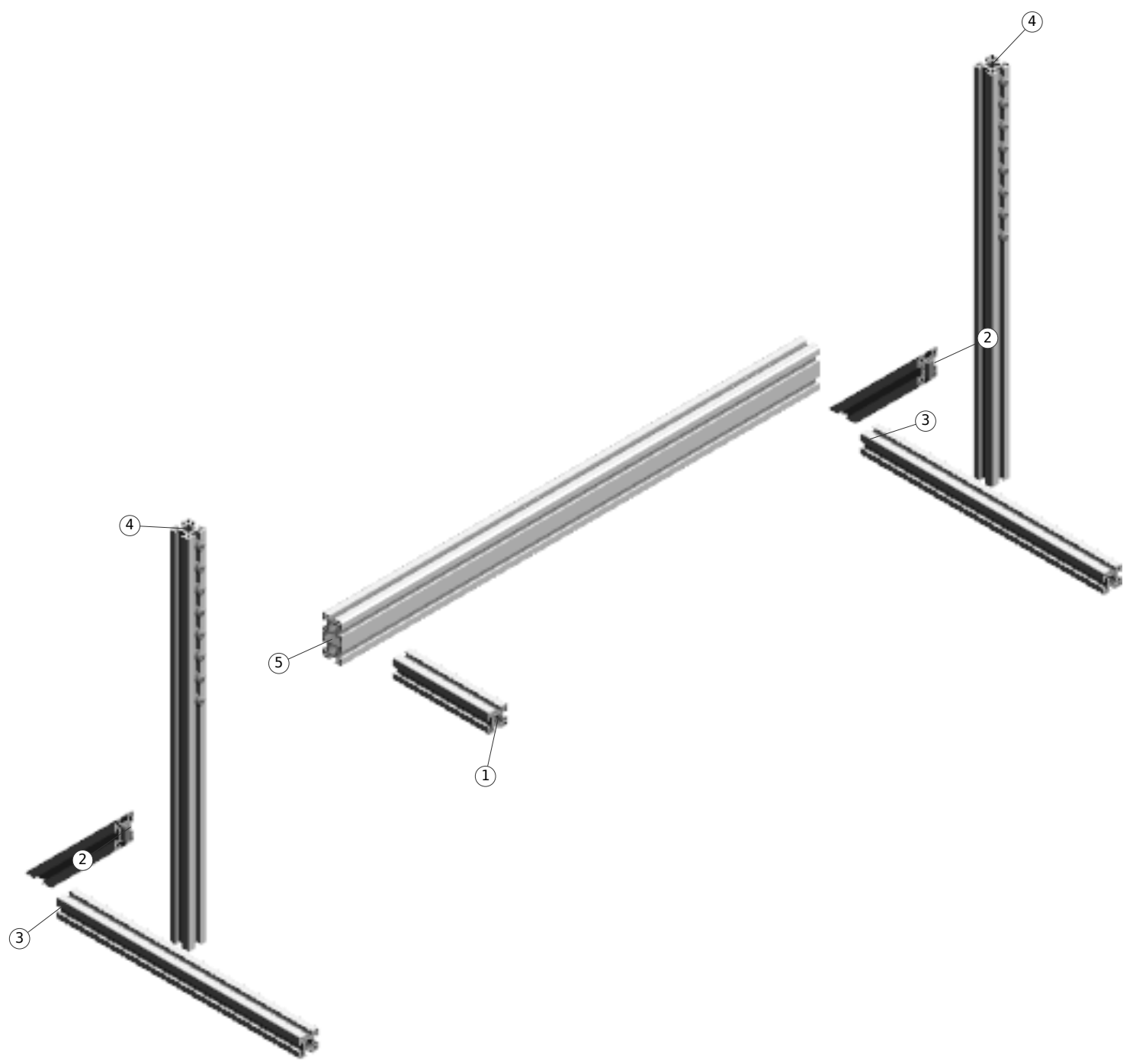
Design Title : 21127M1 -R2 - Single Shot Rev 2
Customer Name : David Curry
Date : 2021-03-04

TOP VIEW



Design Title : 21127M1 -R2 - Single Shot Rev 2
Customer Name : David Curry
Date : 2021-03-04

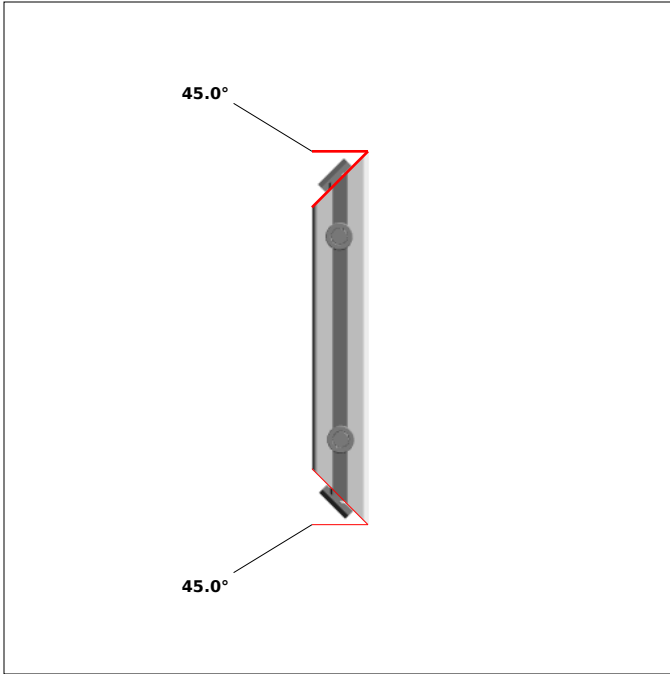
Exploded view



Assembly List

Pos	Article-No	Description	Related parts	Qty
1	1.11.030030.43LP-AA4A00/150	Profile 30x30, 4F, light, plain	1.21.3F0, Connector, universal	1
2	1.11.030030.43LP-DA1DA1/200	Profile 30x30, 4F, light, plain	1.21.3FK1, Connector, oblique-hinge l. + r.	4
4	1.11.030030.43LP-AA4A00/560	Profile 30x30, 4F, light, plain	1.21.3F0, Connector, universal 1.21.3F5, Connector, parallel-square	2 16

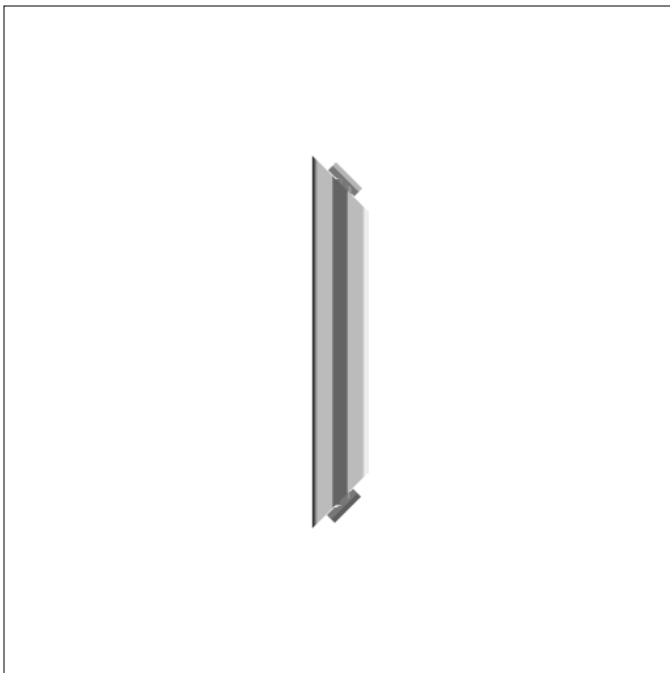
Profile machining details



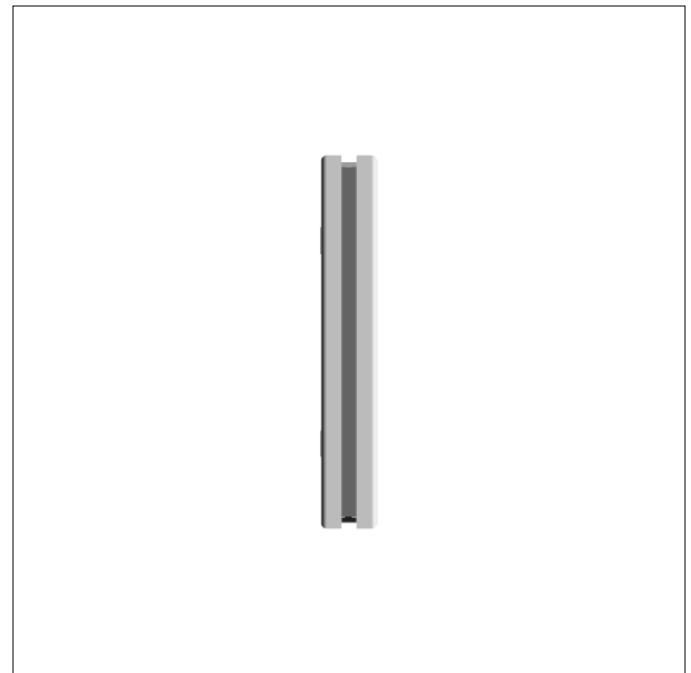
DRAWING 1, Pos 2
SIDE 1, bar length: 200.0 mm



DRAWING 1, Pos 2
SIDE 2



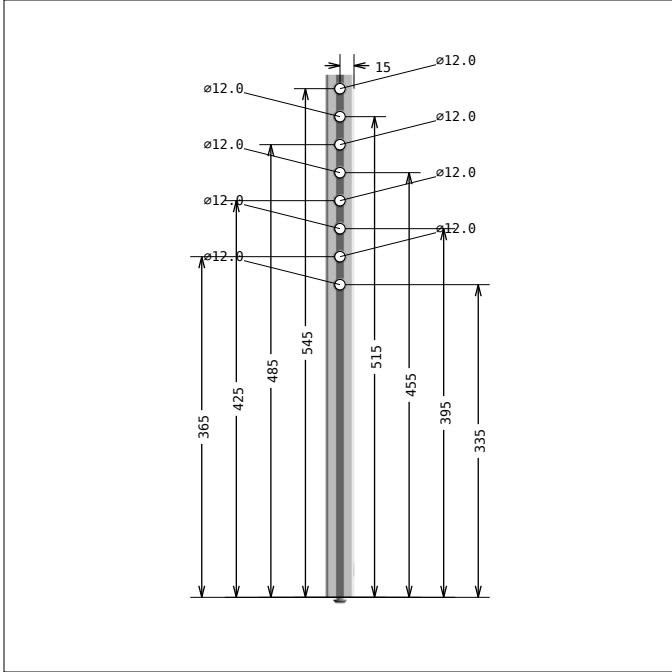
DRAWING 1, Pos 2
SIDE 3



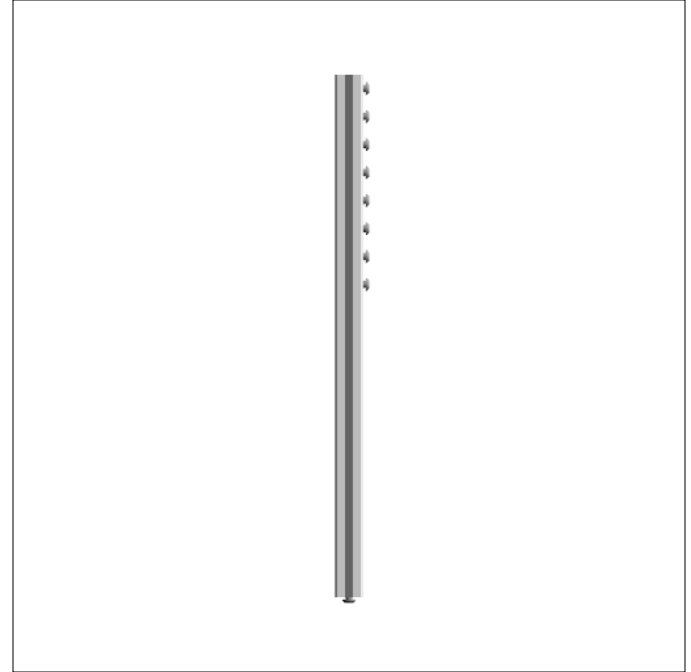
DRAWING 1, Pos 2
SIDE 4

← Profile "left end" is always at the bottom of the drawing. All dimensions are from "left".

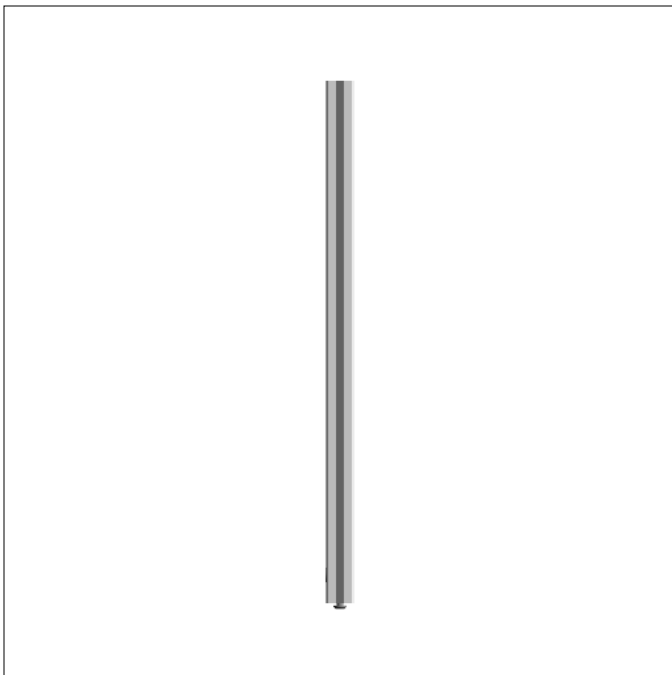
Profile machining details



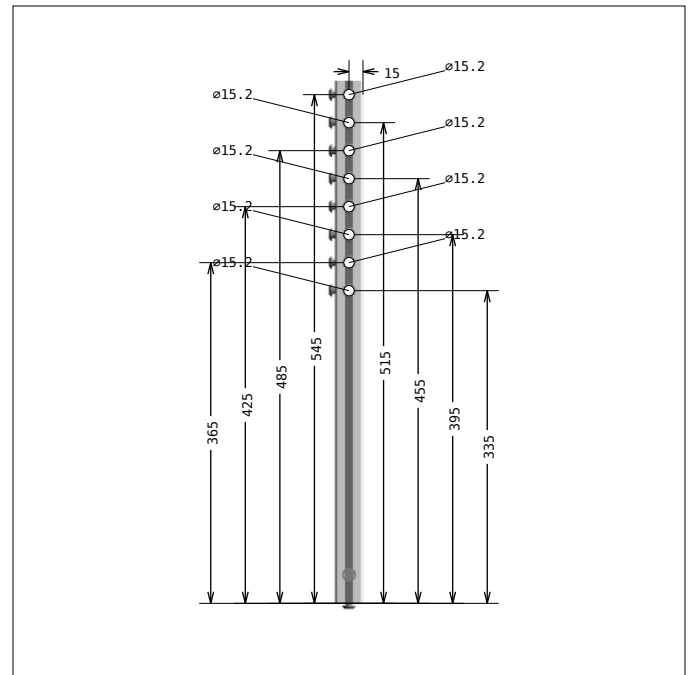
**DRAWING 2, Pos 4
 SIDE 1, bar length: 560.0 mm**



**DRAWING 2, Pos 4
 SIDE 2**



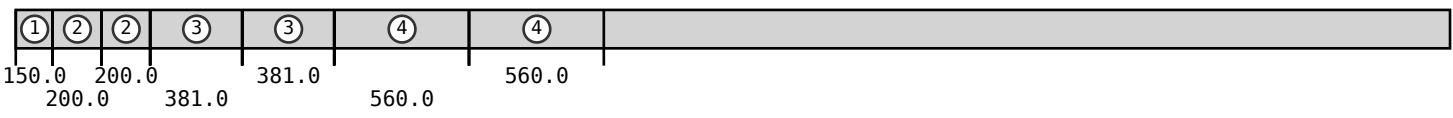
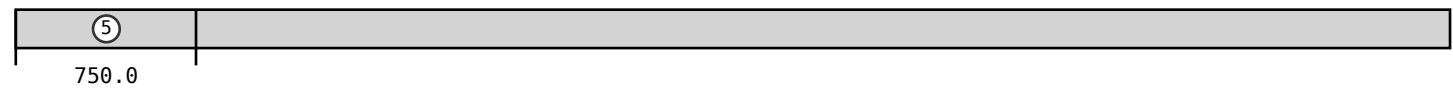
**DRAWING 2, Pos 4
 SIDE 3**



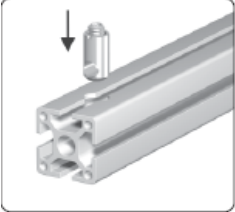
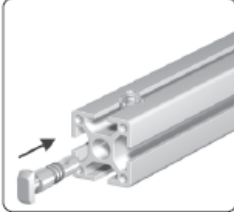
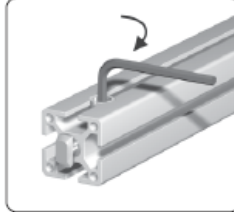
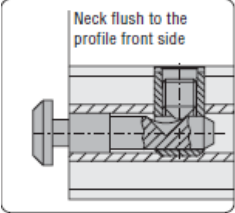
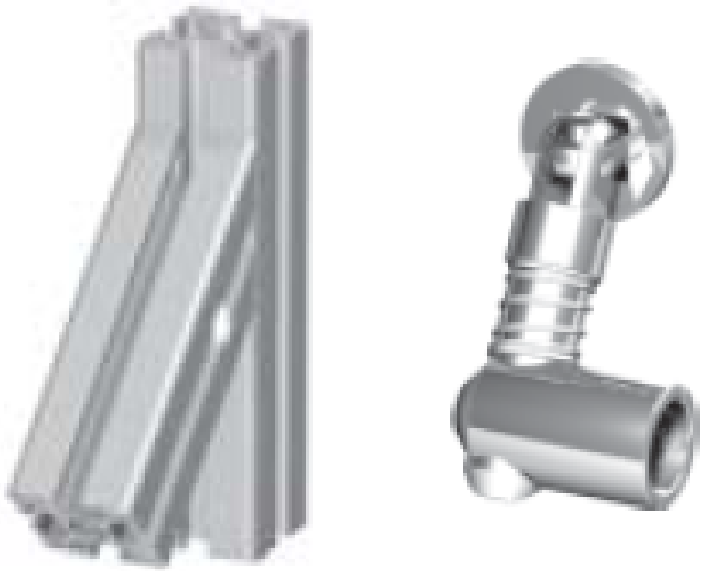
**DRAWING 2, Pos 4
 SIDE 4**

← Profile "left end" is always at the bottom of the drawing. All dimensions are from "left".

Suggested profile cuts (incl. kerf: 4.0 mm)

Article-No	Cuts	Waste (mm)
1.11.030030.43LP		3540.0 mm
1.11.030060.64LP		5246.0 mm

Assembly hints

CONNECTOR	1.21.3F0 1.21.3F5	Connector, universal Connector, parallel-square
<div style="display: flex; justify-content: space-around;"> <div style="text-align: center;">  <p>Insert the cross bushing</p> </div> <div style="text-align: center;">  <p>Push in the anchor</p> </div> <div style="text-align: center;">  <p>Pretension the anchor</p> </div> </div> <div style="margin-top: 10px;">  <p>Neck flush to the profile front side</p> <p>Comments For the optimal assembly of the profiles the connector is to be installed in such a way that the neck is flush to the profile front side</p> </div>		<p>Most MayTec connectors follow these assembly steps. Tightening torque is: 5-15 Nm for 20mm profiles, 30 Nm for 30mm group, 35 Nm for 40mm and larger profiles.</p>
CONNECTOR	1.21.3FK1	Connector, oblique-hinge l. + r.
		<p>This type of connector assembles similar to universal connector</p>