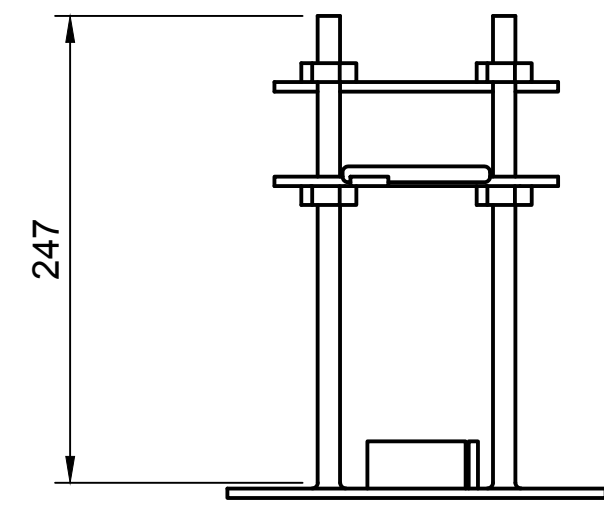
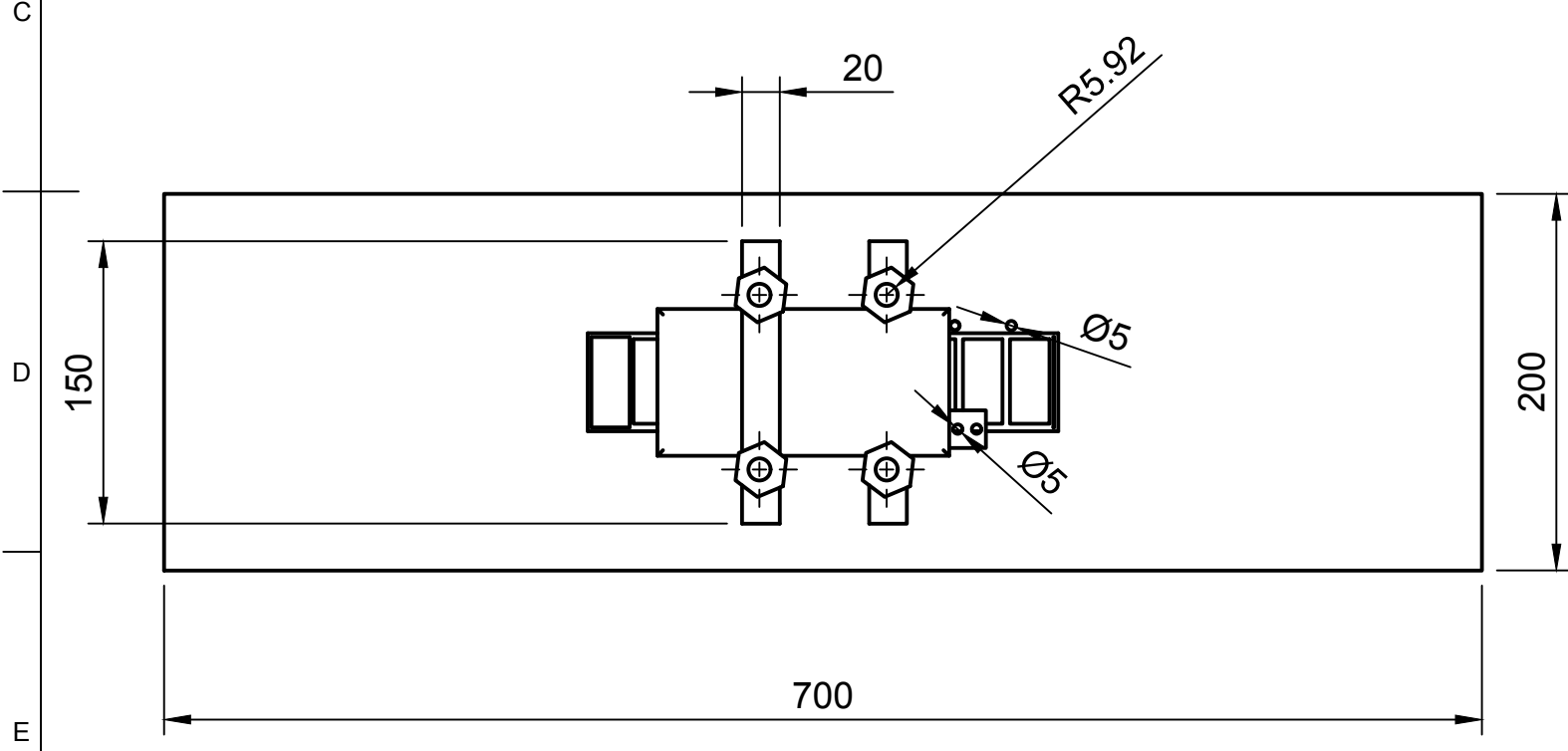
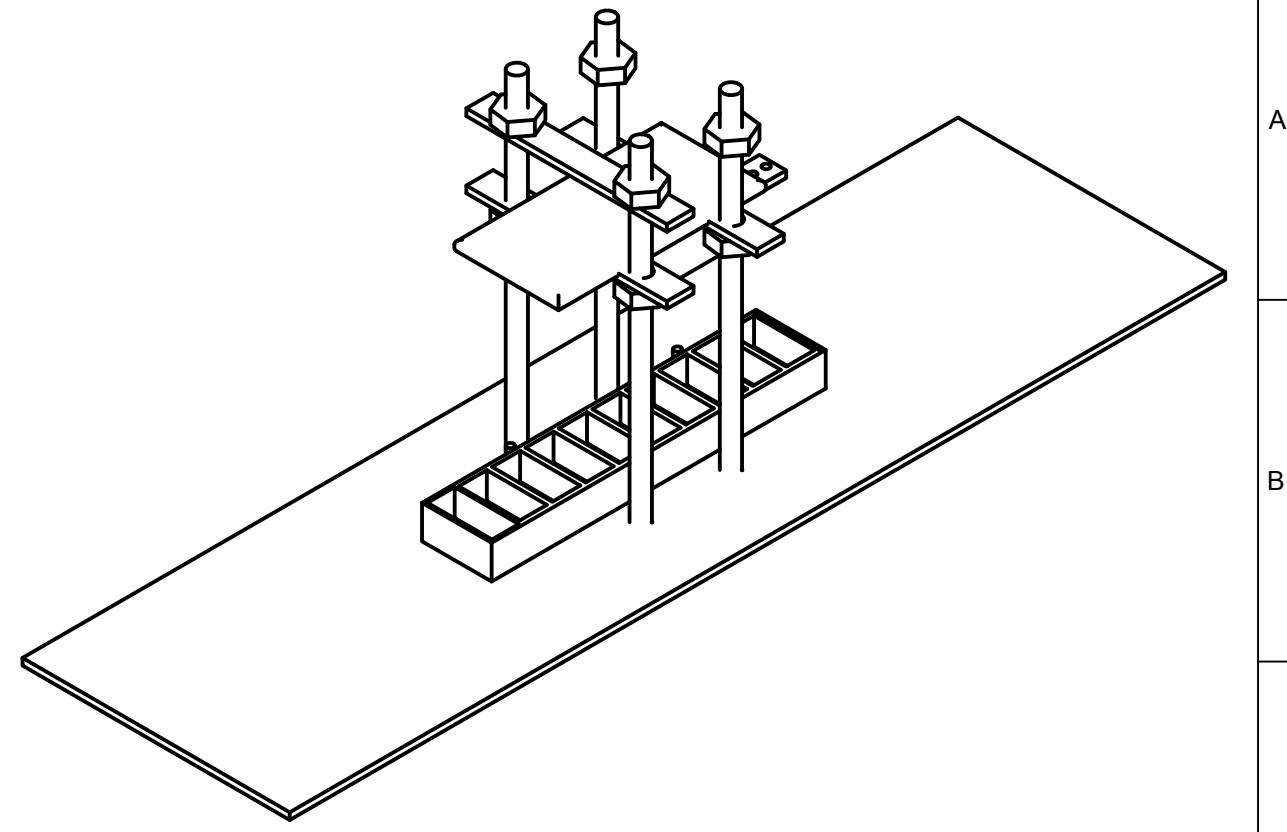
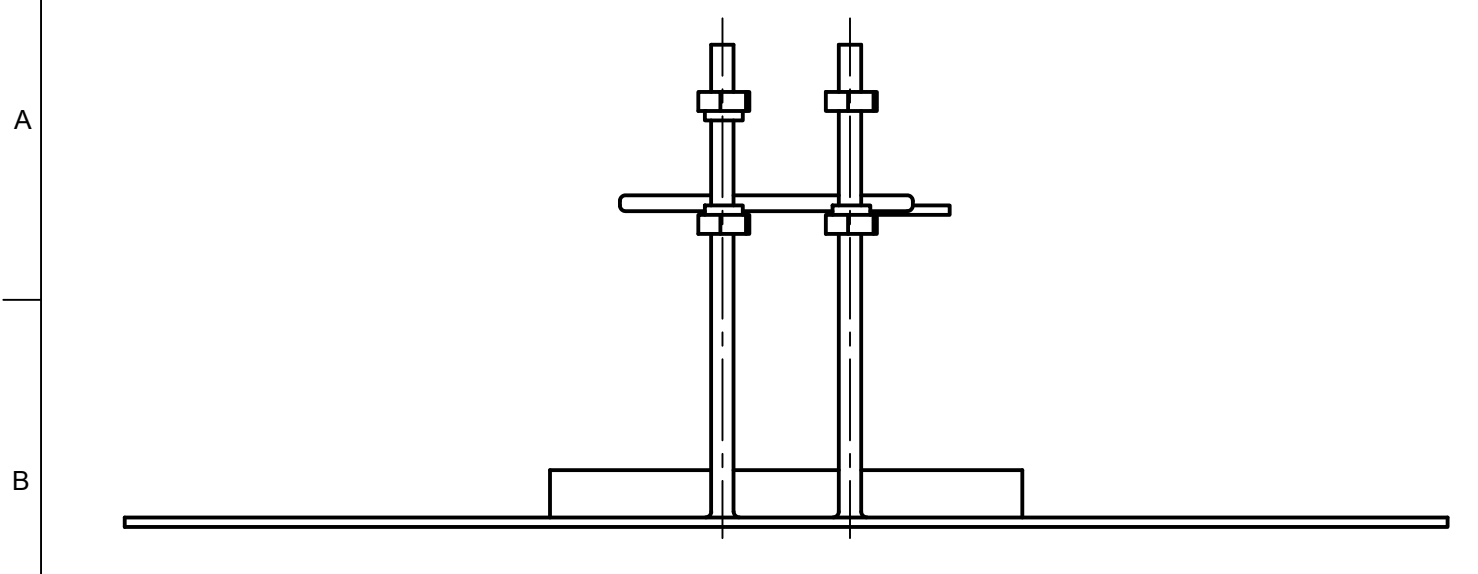



1 2 3 4 5 6 7 8



A B C D E F

Note: Units are in mm.

Dept. Support	Technical reference ISO	Created by Carlos Valencia 6/12/20	Approved by Federico Arboleda	
		Document type	Document status	
		Title NordGold Imagery Station		DWG No. 1
		Rev.	Date of issue	Sheet 1/1

1 2 3 4 5 6 7 8